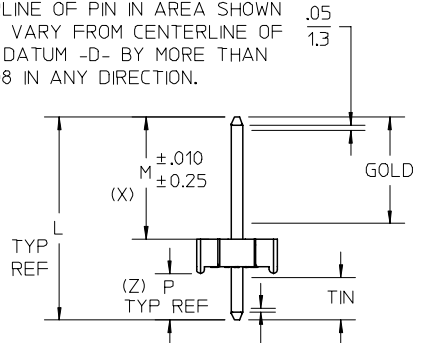
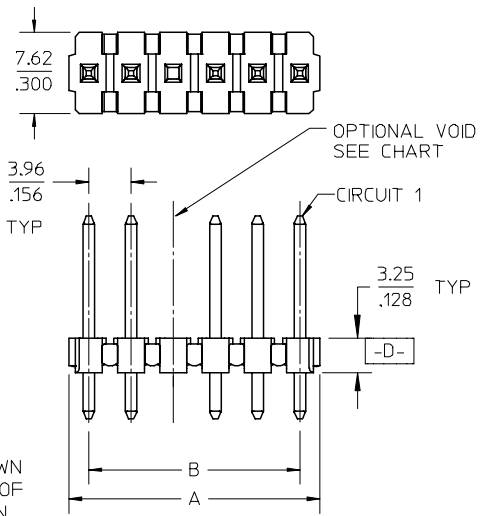


CENTERLINE OF PIN IN AREA SHOWN NOT TO VARY FROM CENTERLINE OF PIN AT DATUM -D- BY MORE THAN 0.20/.008 IN ANY DIRECTION.



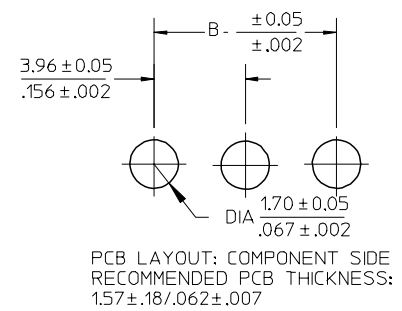
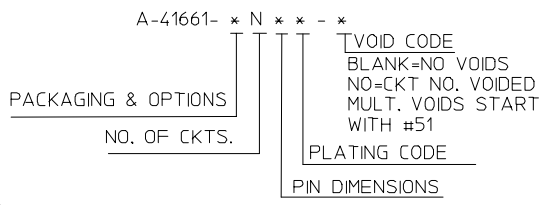
CENTERLINE OF PIN IN AREA SHOWN NOT TO VARY FROM CENTERLINE OF PIN AT DATUM -D- BY MORE THAN 0.13/.005 IN ANY DIRECTION.



B	A	CKT SIZE
3.96/.156	6.78-7.87 / .267-.310	2
7.92/.312	10.74-11.84 / .423-.466	3
11.89/.468	14.71-15.80 / .579-.622	4
15.85/.624	18.67-19.76 / .735-.778	5
19.81/.780	22.63-23.72 / .891-.934	6
23.77/.936	26.59-27.69 / 1.047-1.090	7
27.74/1.092	30.56-31.65 / 1.203-1.246	8
31.70/1.248	34.52-35.61 / 1.359-1.402	9
35.66/1.404	38.48-39.57 / 1.515-1.558	10
39.62/1.560	42.44-43.54 / 1.671-1.714	11
43.59/1.716	46.41-47.50 / 1.827-1.870	12
47.55/1.872	50.37-51.46 / 1.983-2.026	13
51.51/2.028	54.33-55.42 / 2.139-2.182	14
55.47/2.184	58.29-59.39 / 2.295-2.338	15
59.44/2.340	62.26-63.35 / 2.451-2.494	16
63.40/2.496	66.22-67.31 / 2.607-2.650	17
67.36/2.652	70.18-71.27 / 2.763-2.806	18
71.32/2.808	74.14-75.23 / 2.919-2.962	19
75.29/2.964	78.11-79.20 / 3.075-3.118	20
79.25/3.120	82.07-83.16 / 3.231-3.274	21
83.21/3.276	86.03-87.12 / 3.387-3.430	22
87.17/3.432	89.94-91.08 / 3.541-3.586	23
91.14/3.588	93.85-95.00 / 3.695-3.740	24

NOTES:

- MATERIAL: HEADER: GLASS FILLED POLYESTER, 94V-0, MOLDED BLACK.
- FINISH:
  - (102) TIN 0.00508/.000200 MIN OVER COPPER
  - (208) SELECT GOLD: 0.00038/.000015 MIN, \*SELECT TIN: 0.00254/.000100 MIN, OVERALL NICKEL UNDERPLATE: 0.00127/.000050 MIN.
  - (228) SELECT GOLD: 0.00076/.000030 MIN, \*SELECT TIN: 0.00254/.000100 MIN, OVERALL NICKEL UNDERPLATE: 0.00127/.000050 MIN.
- THE PRIMARY SHIPPING CARTON WILL BE LABELED "COMPLIANT TO RoHS DIRECTIVE 2002/95/EC AND ELV ANNEX II OF DIRECTIVE 2000/53/EC". CARTONS WITHOUT THIS LABEL MAY CONTAIN PRODUCT WITH TIN-LEAD PLATING.
- THIS PART CONFORMS TO PRODUCT SPEC PS-08-50.
- PIN PUSH-OUT FORCE: PRIOR TO SOLDERING, A 3 LB MINIMUM FORCE (IN EITHER DIRECTION) SHALL BE REQUIRED TO PUSH THE PIN OUT OF THE HEADER.
- SOLDERABILITY: SEE SMES 152.
- PARTS ARE STACKABLE END TO END ON 3.96/.156 CENTERS, (SPACING TABS MUST BE REMOVED ON CIRCUIT SIZES 1 THRU 22 BEFORE PARTS ARE STACKABLE.)
- THIS PART CONFORMS TO CLASS B REQUIREMENTS OF COSMETIC SPECIFICATION PS-45499-002.



DRAWING FORMAT	SHEETS	REV LEVEL	ADD PART EC NO: UCP2008-0471 DRWN: ADERR 2007/09/04 CHKD: LSCHM1DT 2007/09/04 APPR: FSM1TH 2007/09/07	DESCRIPTION	QUALITY SYMBOLS ▽=0 ▽=0	GENERAL TOLERANCES (UNLESS SPECIFIED)		DIMENSION STYLE MM/IN		SCALE 2:1	DESIGN UNITS INCH	THIRD ANGLE PROJECTION
						mm	INCH	DRAWN BY JSCHAFFER	DATE 2004/03/04	TITLE	KK .156 HEADER ASSEMBLY FLAT BREAKAWAY 2-24 CKTS	
						4 PLACES ± ---	± ---	CHECKED BY KSAMIEC	DATE 2004/03/04			
GENERAL DOCS.	2-*	BD	BD	REV	DRAFT WHERE APPLICABLE MUST REMAIN WITHIN DIMENSIONS	ANGULAR ±1/2°		APPROVED BY MARGULIS		DATE 2004/03/04	DOCUMENT NO. SD-41661-001	SHEET NO. 1 OF 12
ANNOTATOR	1					SEE CHART		THIS DRAWING CONTAINS INFORMATION THAT IS PROPRIETARY TO MOLEX INCORPORATED AND SHOULD NOT BE USED WITHOUT WRITTEN PERMISSION				

PIN NUMBER	2161-1(102)		PIN NUMBER	CONTINUED			PIN NUMBER	43294-0236			PIN NUMBER	43294-0237		
PIN LENGTH	19.0/.750		PIN LENGTH				PIN LENGTH	19.0/.750			PIN LENGTH	19.0/.750		
PLATING	102		PLATING	FROM			PLATING	208			PLATING	228		
MATING "M"	11.43/.450		MATING "M"				MATING "M"	11.43/.450			MATING "M"	11.43/.450		
PCB "P"	4.37/.172		PCB "P"	LAST			PCB "P"	4.37/.172			PCB "P"	4.37/.172		
GOLD "G"	N/A		GOLD "G"				GOLD "G"	6.86 / .270			GOLD "G"	6.86/.270		
TIN "T"	OVERALL		TIN "T"	COLUMN			TIN "T"	4.06/.160			TIN "T"	4.06/.160		
PACKAGING	PK-41661-001		PACKAGING				PACKAGING	PK-41661-001			PACKAGING	PK-41661-001		
STATUS			STATUS				STATUS				STATUS			
A-41661-ANA102-*			A-41661-ANA102-*			A-41661-BNA208-*			A-41661-BNA228-*					
MATERIAL	ENGINEERING	VOIDS	MATERIAL	ENGINEERING	VOIDS	MATERIAL	ENGINEERING	VOIDS	MATERIAL	ENGINEERING	VOIDS			
26-48-1021	-A2A102		26-50-3092	-A9A102-7	7	41661-0001	-B02A208		41661-0024	-B02A228				
26-48-1031	-A3A102		26-50-3201	-A20A102-3	3	41661-0002	-B03A208		41661-0025	-B03A228				
26-48-1041	-A4A102		26-50-3164	-A16A102-52	2, 15	41661-0003	-B04A208		41661-0026	-B04A228				
26-48-1051	-A5A102		41661-2004	-A6A102-4	4	41661-0004	-B05A208		41661-0027	-B05A228				
26-48-1061	-A6A102		41661-2005	-A4A102-51	2,3	41661-0005	-B06A208		41661-0028	-B06A228				
26-48-1071	-A7A102		41661-2006	-A5A102-3	3	41661-0006	-B07A208		41661-0029	-B07A228				
26-48-1081	-A8A102		26-50-3039	-A3A102-2	2	41661-0007	-B08A208		41661-0030	-B08A228				
26-48-1091	-A9A102		26-50-3049	-A4A102-2	2	41661-0008	-B09A208		41661-0031	-B09A228				
26-48-1101	-A10A102		26-50-3059	-A5A102-2	2	41661-0009	-B10A208		41661-0032	-B10A228				
26-48-1111	-A11A102		26-50-3069	-A6A102-2	2	41661-0010	-B11A208		41661-0033	-B11A228				
26-48-1121	-A12A102		26-50-3074	-A7A102-2	2	41661-0011	-B12A208		41661-0034	-B12A228				
26-48-1131	-A13A102		26-50-3089	-A8A102-2	2	41661-0012	-B13A208		41661-0035	-B13A228				
26-48-1141	-A14A102		26-50-3099	-A9A102-2	2	41661-0013	-B14A208		41661-0036	-B14A228				
26-48-1151	-A15A102		26-50-3104	-A10A102-2	2	41661-0014	-B15A208		41661-0037	-B15A228				
26-48-1161	-A16A102		26-50-3119	-A11A102-2	2	41661-0015	-B16A208		41661-0038	-B16A228				
26-48-1171	-A17A102		26-50-3129	-A12A102-2	2	41661-0016	-B17A208		41661-0039	-B17A228				
26-48-1181	-A18A102		26-50-3139	-A13A102-2	2	41661-0017	-B18A208		41661-0040	-B18A228				
26-48-1191	-A19A102		26-50-3149	-A14A102-2	2	41661-0018	-B19A208		41661-0041	-B19A228				
26-48-1201	-A20A102		26-50-3159	-A15A102-2	2	41661-0019	-B20A208		41661-0042	-B20A228				
26-48-1211	-A21A102		26-50-3169	-A16A102-2	2	41661-0020	-B21A208		41661-0043	-B21A228				
26-48-1221	-A22A102		26-50-3179	-A17A102-2	2	41661-0021	-B22A208		41661-0044	-B22A228				
26-48-1231	-A23A102		26-50-3189	-A18A102-2	2	41661-0022	-B23A208		41661-0045	-B23A228				
26-48-1241	-A24A102		26-50-3199	-A19A102-2	2	41661-0023	-B24A208		41661-0046	-B24A228				
26-48-1178	-A17A102-3	3	26-50-3209	-A20A102-2	2									
26-48-1138	-A13A102-3	3	50-29-1687	-A07A102-4	4									
26-50-3105	-A10A102-4	4	50-29-1612	-A15A102-7	7									

REV: <b>BD</b>	ECR/ECN INFORMATION: EC No.: <b>UCP2008-0471</b> DATE: <b>9/7/2007</b>	TITLE: <b>KK 156 HEADER ASSEMBLY FLAT BREAKAWAY 2-24 CKTS</b>	SHEET No. <b>- 2 -</b>
DOCUMENT NUMBER: <b>SD- 41661 -001</b>	CREATED / REVISED BY: <b>ADERR</b>	CHECKED BY: <b>LSCHMIDT</b>	APPROVED BY: <b>FSMITH</b>

PIN NUMBER	2161-65(102)	PIN NUMBER	2161-3(102)	PIN NUMBER	2161-16(501)	PIN NUMBER	2161-36(102)				
PIN LENGTH	22.71/.894	PIN LENGTH	23.80/.937	PIN LENGTH	25.40/1.000	PIN LENGTH	30.48/1.200				
PLATING	102	PLATING	102	PLATING	501	PLATING	102				
MATING "M"	15.09/.594	MATING "M"	16.18/.637	MATING "M"	18.26/.719	MATING "M"	24.21/.953				
PCB "P"	4.37/.172	PCB "P"	4.37/.172	PCB "P"	3.89/.153	PCB "P"	3.02/.119				
GOLD "G"	N/A	GOLD "G"	N/A	GOLD "G"	OVERALL	GOLD "G"	N/A				
TIN "T"	OVERALL	TIN "T"	OVERALL	TIN "T"	N/A	TIN "T"	OVERALL				
PACKAGING	PK-41661-001	PACKAGING	PK-41661-001	PACKAGING	PK-41661-001	PACKAGING	PK-41661-001				
STATUS		STATUS		STATUS		STATUS					
A-41661-ANAE102-*			A-41661-ANC102-*			A-41661-AND501-*			A-41661-ANE102-*		
MATERIAL	ENGINEERING	VOIDS	MATERIAL	ENGINEERING	VOIDS	MATERIAL	ENGINEERING	VOIDS	MATERIAL	ENGINEERING	VOIDS
26-48-1020	-A2AE102		26-48-7021	-A2C102		26-48-5023	-A2D501		26-58-4020	-A2E102	
26-48-1030	-A3AE102		26-48-7031	-A3C102		41661-0093	-A3D501		26-58-4030	-A3E102	
26-48-1040	-A4AE102		26-48-7041	-A4C102		41661-0094	-A4D501		26-58-4040	-A4E102	
26-48-1050	-A5AE102		26-48-7051	-A5C102		41661-0095	-A5D501		26-58-4050	-A5E102	
26-48-1060	-A6AE102		26-48-7061	-A6C102		41661-0096	-A6D501		26-58-4060	-A6E102	
26-48-1070	-A7AE102		26-48-7071	-A7C102		41661-0097	-A7D501		26-58-4070	-A7E102	
26-48-1080	-A8AE102		26-48-7081	-A8C102		26-48-5083	-A8D501		26-58-4080	-A8E102	
26-48-1090	-A9AE102		26-48-7091	-A9C102		41661-0098	-A9D501		26-58-4090	-A9E102	
26-48-1100	-A10AE102		26-48-7101	-A10C102		41661-0099	-A10D501		26-58-4100	-A10E102	
26-48-1110	-A11AE102		26-48-7111	-A11C102		41661-0100	-A11D501		26-58-4110	-A11E102	
26-48-1120	-A12AE102		26-48-7121	-A12C102		26-48-5123	-A12D501		26-58-4120	-A12E102	
26-48-1130	-A13AE102		26-48-7131	-A13C102		41661-0101	-A13D501		26-58-4130	-A13E102	
26-48-1140	-A14AE102		26-48-7141	-A14C102		41661-0102	-A14D501		26-58-4140	-A14E102	
26-48-1150	-A15AE102		26-48-7151	-A15C102		41661-0103	-A15D501		26-58-4150	-A15E102	
26-48-1160	-A16AE102		26-48-7161	-A16C102		41661-0104	-A16D501		26-58-4160	-A16E102	
26-48-1170	-A17AE102		26-48-7171	-A17C102		41661-0105	-A17D501		26-58-4170	-A17E102	
26-48-1180	-A18AE102		26-48-7181	-A18C102		41661-0106	-A18D501		26-58-4180	-A18E102	
26-48-1190	-A19AE102		26-48-7191	-A19C102		41661-0107	-A19D501		26-58-4190	-A19E102	
26-48-1200	-A20AE102		26-48-7201	-A20C102		41661-0108	-A20D501		26-58-4200	-A20E102	
26-48-1210	-A21AE102		26-48-7211	-A21C102		41661-0109	-A21D501		26-58-4210	-A21E102	
26-48-1220	-A22AE102		26-48-7221	-A22C102		41661-0110	-A22D501		26-58-4220	-A22E102	
26-48-1230	-A23AE102		26-48-7231	-A23C102		41661-0111	-A23D501		26-58-4230	-A23E102	
26-48-1240	-A24AE102		26-48-7241	-A24C102		41661-0112	-A24D501		26-58-4240	-A24E102	

REV: <b>BD</b>	ECR/ECN INFORMATION: EC No.: <b>UCP2008-0471</b> DATE: <b>9/7/2007</b>	TITLE: <b>KK 156 HEADER ASSEMBLY FLAT BREAKAWAY 2-24 CKTS</b>	SHEET No. <b>- 3 -</b>
DOCUMENT NUMBER: <b>SD- 41661 -001</b>		CREATED / REVISED BY: <b>ADERR</b>	CHECKED BY: <b>LSCHMIDT</b>
		APPROVED BY: <b>FSMITH</b>	

PIN NUMBER	2161-21(102)	PIN NUMBER	2161-36(501)	PIN NUMBER	2161-95(102)	PIN NUMBER	2161-7(102)				
PIN LENGTH	28.58/1.125	PIN LENGTH	30.48/1.200	PIN LENGTH	37.24/1.468	PIN LENGTH	34.67/1.562				
PLATING	102	PLATING	501	PLATING	102	PLATING	102				
MATING "M"	20.96/.825	MATING "M"	24.21/.953	MATING "M"	13.97/.550	MATING "M"	33.40/1.315				
PCB "P"	4.37/.172	PCB "P"	3.02/.119	PCB "P"	20.07/.790	PCB "P"	3.10/.122				
GOLD "G"	N/A	GOLD "G"	OVERALL	GOLD "G"	N/A	GOLD "G"	N/A				
TIN "T"	OVERALL	TIN "T"	N/A	TIN "T"	OVERALL	TIN "T"	OVERALL				
PACKAGING	PK-41661-001	PACKAGING	PK-41661-001	PACKAGING	PK-41661-001	PACKAGING	PK-41661-001				
STATUS		STATUS		STATUS		STATUS					
A-41661-ANF102-*			A-41661-ANE501-*			A-41661-ANH102-*			A-41661-ANL102-*		
MATERIAL	ENGINEERING	VOIDS	MATERIAL	ENGINEERING	VOIDS	MATERIAL	ENGINEERING	VOIDS	MATERIAL	ENGINEERING	VOIDS
26-48-4021	-A2F102		41661-0127	-A2E501		41661-0146	-A2H102		26-48-9021	-A2L102	
26-48-4031	-A3F102		41661-0128	-A3E501		41661-0147	-A3H102		26-48-9031	-A3L102	
26-48-4041	-A4F102		41661-0129	-A4E501		41661-0148	-A4H102		41661-0167	-A4L102	
41661-0113	-A5F102		41661-0130	-A5E501		41661-0149	-A5H102		26-48-9051	-A5L102	
26-48-4061	-A6F102		41661-0131	-A6E501		26-48-8061	-A6H102		26-48-9061	-A6L102	
41661-0114	-A7F102		41661-0132	-A7E501		41661-0150	-A7H102		26-48-9071	-A7L102	
26-48-4081	-A8F102		26-48-3081	-A8E501		41661-0151	-A8H102		41661-0168	-A8L102	
41661-0115	-A9F102		41661-0133	-A9E501		41661-0152	-A9H102		41661-0169	-A9L102	
26-48-4101	-A10F102		41661-0134	-A10E501		41661-0153	-A10H102		41661-0170	-A10L102	
26-48-4111	-A11F102		41661-0135	-A11E501		41661-0154	-A11H102		41661-0171	-A11L102	
41661-0116	-A12F102		26-48-3121	-A12E501		41661-0155	-A12H102		41661-0172	-A12L102	
41661-0117	-A13F102		26-48-3131	-A13E501		26-48-8131	-A13H102		41661-0173	-A13L102	
41661-0118	-A14F102		41661-0136	-A14E501		41661-0156	-A14H102		41661-0174	-A14L102	
26-48-4151	-A15F102		41661-0137	-A15E501		41661-0157	-A15H102		41661-0175	-A15L102	
41661-0119	-A16F102		41661-0138	-A16E501		41661-0158	-A16H102		41661-0176	-A16L102	
41661-0120	-A17F102		41661-0139	-A17E501		41661-0159	-A17H102		41661-0177	-A17L102	
41661-0121	-A18F102		41661-0140	-A18E501		41661-0160	-A18H102		41661-0178	-A18L102	
41661-0122	-A19F102		41661-0141	-A19E501		41661-0161	-A19H102		41661-0179	-A19L102	
41661-0123	-A20F102		41661-0142	-A20E501		41661-0162	-A20H102		41661-0180	-A20L102	
41661-0124	-A21F102		41661-0143	-A21E501		41661-0163	-A21H102		41661-0181	-A21L102	
41661-0125	-A22F102		41661-0144	-A22E501		41661-0164	-A22H102		41661-0182	-A22L102	
41661-0126	-A23F102		41661-0145	-A23E501		41661-0165	-A23H102		41661-0183	-A23L102	
26-48-4241	-A24F102		26-48-3241	-A24E501		41661-0166	-A24H102		26-48-9241	-A24L102	

REV: <b>BD</b>	ECR/ECN INFORMATION: EC No.: <b>UCP2008-0471</b> DATE: <b>9/7/2007</b>	TITLE: <b>KK 156 HEADER ASSEMBLY FLAT BREAKAWAY 2-24 CKTS</b>	SHEET No. <b>- 4 -</b>
DOCUMENT NUMBER: <b>SD- 41661 -001</b>		CREATED / REVISED BY: <b>ADERR</b>	CHECKED BY: <b>LSCHMIDT</b>
		APPROVED BY: <b>FSMITH</b>	

PIN NUMBER	2161-36(102)	PIN NUMBER	2161-7(102)	PIN NUMBER	2161-36(102)	PIN NUMBER	2161-3(501)				
PIN LENGTH	30.48/1.200	PIN LENGTH	39.67/1.562	PIN LENGTH	30.48/1.200	PIN LENGTH	23.80/.937				
PLATING	102	PLATING	102	PLATING	102	PLATING	501				
MATING "M"	22.61/.890	MATING "M"	32.61/1.284	MATING "M"	13.44/.531	MATING "M"	16.18/.637				
PCB "P"	4.62/.182	PCB "P"	3.81/.150	PCB "P"	13.74/.541	PCB "P"	4.37/.172				
GOLD "G"	N/A	GOLD "G"	N/A	GOLD "G"	N/A	GOLD "G"	OVERALL				
TIN "T"	OVERALL	TIN "T"	OVERALL	TIN "T"	OVERALL	TIN "T"	N/A				
PACKAGING	PK-41661-001	PACKAGING	PK-41661-001	PACKAGING	PK-41661-001	PACKAGING	PK-41661-001				
STATUS		STATUS		STATUS		STATUS					
A-41661-ANM102-*			A-41661-ANN102-*			A-41661-ANR102-*			41661-ANC501-*		
MATERIAL	ENGINEERING	VOIDS	MATERIAL	ENGINEERING	VOIDS	MATERIAL	ENGINEERING	VOIDS	MATERIAL	ENGINEERING	VOIDS
26-58-4022	-A2M102		41661-0200	-A2N102		26-48-4022	-A2R102		41661-0219	-A2C501	
41661-0184	-A3M102		41661-0201	-A3N102		26-48-4032	-A3R102		41661-0220	-A3C501	
26-58-4042	-A4M102		41661-0202	-A4N102		26-48-4042	-A4R102		41661-0221	-A4C501	
26-58-4052	-A5M102		41661-0203	-A5N102		26-48-4052	-A5R102		41661-0222	-A5C501	
41661-0186	-A6M102		26-58-0062	-A6N102		26-48-4062	-A6R102		26-48-5064	-A6C501	
26-58-4072	-A7M102		41661-0204	-A7N102		26-48-4072	-A7R102		41661-0223	-A7C501	
41661-0187	-A8M102		41661-0205	-A8N102		26-48-4082	-A8R102		41661-0224	-A8C501	
26-58-4092	-A9M102		26-58-0092	-A9N102		26-48-4092	-A9R102		41661-0225	-A9C501	
26-58-4102	-A10M102		26-58-0102	-A10N102		26-48-4102	-A10R102		26-48-5104	-A10C501	
41661-0188	-A11M102		41661-0206	-A11N102		26-48-4112	-A11R102		41661-0226	-A11C501	
26-58-4122	-A12M102		41661-0207	-A12N102		26-48-4122	-A12R102		41661-0227	-A12C501	
41661-0189	-A13M102		41661-0208	-A13N102		26-48-4132	-A13R102		41661-0228	-A13C501	
41661-0190	-A14M102		41661-0209	-A14N102		26-48-4142	-A14R102		41661-0229	-A14C501	
26-58-4152	-A15M102		41661-0210	-A15N102		26-48-4152	-A15R102		41661-0230	-A15C501	
26-58-4162	-A16M102		41661-0211	-A16N102		26-48-4162	-A16R102		41661-0231	-A16C501	
41661-0192	-A17M102		41661-0212	-A17N102		26-48-4172	-A17R102		41661-0232	-A17C501	
41661-0193	-A18M102		41661-0213	-A18N102		26-48-4182	-A18R102		41661-0233	-A18C501	
41661-0194	-A19M102		41661-0214	-A19N102		26-48-4192	-A19R102		41661-0234	-A19C501	
41661-0195	-A20M102		41661-0215	-A20N102		26-48-4202	-A20R102		41661-0235	-A20C501	
41661-0196	-A21M102		41661-0216	-A21N102		26-48-4212	-A21R102		41661-0236	-A21C501	
41661-0197	-A22M102		41661-0217	-A22N102		26-48-4222	-A22R102		41661-0237	-A22C501	
41661-0198	-A23M102		41661-0218	-A23N102		26-48-4232	-A23R102		41661-0238	-A23C501	
41661-0199	-A24M102		26-58-0242	-A24N102		26-48-4242	-A24R102		26-48-5244	-A24C501	
						26-50-4055	-A5R102-4	4			

REV: <b>BD</b>	ECR/ECN INFORMATION: EC No.: <b>UCP2008-0471</b> DATE: <b>9/7/2007</b>	TITLE: <b>KK 156 HEADER ASSEMBLY FLAT BREAKAWAY 2-24 CKTS</b>	SHEET No. <b>- 5 -</b>
DOCUMENT NUMBER: <b>SD- 41661 -001</b>	CREATED / REVISED BY: <b>ADERR</b>	CHECKED BY: <b>LSCHMIDT</b>	APPROVED BY: <b>FSMITH</b>

PIN NUMBER	2161-22(102)	PIN NUMBER	2161-19(102)	PIN NUMBER	2161-22(102)	PIN NUMBER	2161-38(102)				
PIN LENGTH	31.75/1.250	PIN LENGTH	26.21/1.032	PIN LENGTH	31.75/1.250	PIN LENGTH	38.10/1.500				
PLATING	102	PLATING	102	PLATING	102	PLATING	102				
MATING "M"	25.70/1.012	MATING "M"	19.48/.767	MATING "M"	18.34/.722	MATING "M"	31.80/1.252				
PCB "P"	2.79/.110	PCB "P"	3.56/.140	PCB "P"	10.16/.400	PCB "P"	3.05/.120				
GOLD "G"	N/A	GOLD "G"	N/A	GOLD "G"	N/A	GOLD "G"	N/A				
TIN "T"	OVERALL	TIN "T"	OVERALL	TIN "T"	OVERALL	TIN "T"	OVERALL				
PACKAGING	PK-41661-001	PACKAGING	PK-41661-001	PACKAGING	PK-41661-001	PACKAGING	PK-41661-001				
STATUS		STATUS		STATUS		STATUS					
A-41661-ANW102-*			A-41661-ANY102-*			A-41661-ANZ102-*			A-41661-ANAA102-*		
MATERIAL	ENGINEERING	VOIDS	MATERIAL	ENGINEERING	VOIDS	MATERIAL	ENGINEERING	VOIDS	MATERIAL	ENGINEERING	VOIDS
41661-0239	-A2W102		41661-0259	-A2Y102		41661-0274	-A2Z102		41661-0294	-A2AA102	
41661-0240	-A3W102		26-58-0030	-A3Y102		41661-0275	-A3Z102		41661-0295	-A3AA102	
26-58-0045	-A4W102		26-58-0040	-A4Y102		41661-0276	-A4Z102		41661-0296	-A4AA102	
41661-0241	-A5W102		41661-0260	-A5Y102		41661-0277	-A5Z102		41661-0297	-A5AA102	
41661-0242	-A6W102		26-58-0060	-A6Y102		26-58-0061	-A6Z102		41661-0298	-A6AA102	
41661-0243	-A7W102		26-58-0070	-A7Y102		41661-0278	-A7Z102		41661-0299	-A7AA102	
41661-0244	-A8W102		41661-0261	-A8Y102		41661-0279	-A8Z102		26-58-0083	-A8AA102	
41661-0245	-A9W102		26-58-0090	-A9Y102		41661-0280	-A9Z102		41661-0300	-A9AA102	
26-58-0105	-A10W102		26-58-0100	-A10Y102		41661-0281	-A10Z102		41661-0301	-A10AA102	
41661-0246	-A11W102		26-58-0110	-A11Y102		41661-0282	-A11Z102		41661-0302	-A11AA102	
41661-0247	-A12W102		41661-0262	-A12Y102		26-58-0121	-A12Z102		41661-0303	-A12AA102	
41661-0248	-A13W102		41661-0263	-A13Y102		41661-0283	-A13Z102		41661-0304	-A13AA102	
41661-0249	-A14W102		41661-0264	-A14Y102		41661-0284	-A14Z102		41661-0305	-A14AA102	
41661-0250	-A15W102		41661-0265	-A15Y102		41661-0285	-A15Z102		41661-0306	-A15AA102	
41661-0251	-A16W102		41661-0266	-A16Y102		41661-0286	-A16Z102		41661-0307	-A16AA102	
41661-0252	-A17W102		41661-0267	-A17Y102		41661-0287	-A17Z102		26-58-0173	-A17AA102	
41661-0253	-A18W102		41661-0268	-A18Y102		41661-0288	-A18Z102		41661-0308	-A18AA102	
41661-0254	-A19W102		41661-0269	-A19Y102		41661-0289	-A19Z102		41661-0309	-A19AA102	
41661-0255	-A20W102		41661-0270	-A20Y102		41661-0290	-A20Z102		41661-0310	-A20AA102	
41661-0256	-A21W102		41661-0271	-A21Y102		41661-0291	-A21Z102		41661-0311	-A21AA102	
41661-0257	-A22W102		41661-0272	-A22Y102		41661-0292	-A22Z102		41661-0312	-A22AA102	
41661-0258	-A23W102		41661-0273	-A23Y102		41661-0293	-A23Z102		41661-0313	-A23AA102	
26-58-0245	-A24W102		26-58-0240	-A24Y102		26-58-0241	-A24Z102		41661-0314	-A24AA102	

REV: <b>BD</b>	ECR/ECN INFORMATION: EC No.: <b>UCP2008-0471</b> DATE: <b>9/7/2007</b>	TITLE: <b>KK 156 HEADER ASSEMBLY FLAT BREAKAWAY 2-24 CKTS</b>	SHEET No. <b>- 6 -</b>
DOCUMENT NUMBER: <b>SD- 41661 -001</b>		CREATED / REVISED BY: <b>ADERR</b>	CHECKED BY: <b>LSCHMIDT</b>
		APPROVED BY: <b>FSMITH</b>	

PIN NUMBER	2161-45(102)	PIN NUMBER	2161-45(501)	PIN NUMBER	2161-40(102)	PIN NUMBER	2161-21(501)				
PIN LENGTH	20.85/.821	PIN LENGTH	20.85/.821	PIN LENGTH	48.26/1.900	PIN LENGTH	28.58/1.125				
PLATING	102	PLATING	501	PLATING	102	PLATING	501				
MATING "M"	13.23/.521	MATING "M"	13.23/.501	MATING "M"	43.18/1.700	MATING "M"	22.53/.887 REF				
PCB "P"	4.37/.172	PCB "P"	4.37/.172	PCB "P"	1.83/.072	PCB "P"	2.79+-.51/.110+-.020				
GOLD "G"	N/A	GOLD "G"	OVERALL	GOLD "G"	N/A	GOLD "G"	OVERALL				
TIN "T"	OVERALL	TIN "T"	N/A	TIN "T"	OVERALL	TIN "T"	N/A				
PACKAGING	PK-41661-001	PACKAGING	PK-41661-001	PACKAGING	PK-41661-001	PACKAGING	PK-41661-001				
STATUS		STATUS		STATUS		STATUS					
A-41661-ANB102-*			A-41661-ANB501-*			A-41661-ANAW102-*			A-41661-ANV501-*		
MATERIAL	ENGINEERING	VOIDS	MATERIAL	ENGINEERING	VOIDS	MATERIAL	ENGINEERING	VOIDS	MATERIAL	ENGINEERING	VOIDS
26-48-6021	-A2B102		26-48-5021	-A2B501		26-58-5024	-A2AW102		41661-0315	-A2V501	
26-48-6031	-A3B102		26-48-5031	-A3B501		26-58-5034	-A3AW102		41661-0316	-A3V501	
26-48-6041	-A4B102		26-48-5041	-A4B501		26-58-5044	-A4AW102		41661-0317	-A4V501	
26-48-6051	-A5B102		26-48-5051	-A5B501		26-58-5054	-A5AW102		41661-0318	-A5V501	
26-48-6061	-A6B102		26-48-5061	-A6B501		26-58-5064	-A6AW102		26-48-5068	-A6V501	
26-48-6071	-A7B102		26-48-5071	-A7B501		26-58-5074	-A7AW102		41661-0319	-A7V501	
26-48-6081	-A8B102		26-48-5081	-A8B501		26-58-5084	-A8AW102		26-48-5088	-A8V501	
26-48-6091	-A9B102		26-48-5091	-A9B501		26-58-5094	-A9AW102		41661-0320	-A9V501	
26-48-6101	-A10B102		26-48-5101	-A10B501		26-58-5104	-A10AW102		41661-0321	-A10V501	
26-48-6111	-A11B102		26-48-5111	-A11B501		26-58-5114	-A11AW102		41661-0322	-A11V501	
26-48-6121	-A12B102		26-48-5121	-A12B501		26-58-5124	-A12AW102		41661-0323	-A12V501	
26-48-6131	-A13B102		26-48-5131	-A13B501		26-58-5134	-A13AW102		41661-0324	-A13V501	
26-48-6141	-A14B102		26-48-5141	-A14B501		26-58-5144	-A14AW102		41661-0325	-A14V501	
26-48-6151	-A15B102		26-48-5151	-A15B501		26-58-5154	-A15AW102		41661-0326	-A15V501	
26-48-6161	-A16B102		26-48-5161	-A16B501		26-58-5164	-A16AW102		41661-0327	-A16V501	
26-48-6171	-A17B102		26-48-5171	-A17B501		26-58-5174	-A17AW102		41661-0328	-A17V501	
26-48-6181	-A18B102		26-48-5181	-A18B501		26-58-5184	-A18AW102		41661-0329	-A18V501	
26-48-6191	-A19B102		26-48-5191	-A19B501		26-58-5194	-A19AW102		41661-0330	-A19V501	
26-48-6201	-A20B102		26-48-5201	-A20B501		26-58-5204	-A20AW102		41661-0331	-A20V501	
26-48-6211	-A21B102		26-48-5211	-A21B501		26-58-5214	-A21AW102		41661-0332	-A21V501	
26-48-6221	-A22B102		26-48-5221	-A22B501		26-58-5224	-A22AW102		41661-0333	-A22V501	
26-48-6231	-A23B102		26-48-5231	-A23B501		26-58-5234	-A23AW102		41661-0334	-A23V501	
26-48-6241	-A24B102		26-48-5241	-A24B501		26-58-5244	-A24AW102		41661-0335	-A24V501	

REV: <b>BD</b>	ECR/ECN INFORMATION: EC No.: <b>UCP2008-0471</b> DATE: <b>9/7/2007</b>	TITLE: <b>KK 156 HEADER ASSEMBLY FLAT BREAKAWAY 2-24 CKTS</b>	SHEET No. <b>- 7 -</b>
DOCUMENT NUMBER: <b>SD- 41661 -001</b>	CREATED / REVISED BY: <b>ADERR</b>	CHECKED BY: <b>LSCHMIDT</b>	APPROVED BY: <b>FSMITH</b>

PIN NUMBER	2161-5(501)	PIN NUMBER	2161-16(102)	PIN NUMBER	2161-21(102)	PIN NUMBER	2161-15(102)				
PIN LENGTH	34.93/1.375	PIN LENGTH	25.40/1.000	PIN LENGTH	28.57/1.125	PIN LENGTH	15.88/.625				
PLATING	501	PLATING	102	PLATING	102	PLATING	102				
MATING "M"	27.18/1.070	MATING "M"	18.26/.719	MATING "M"	22.15/.872	MATING "M"	8.81/.347				
PCB "P"	4.50/.177	PCB "P"	3.89/.153	PCB "P"	3.18/.125	PCB "P"	3.81/.150				
GOLD "G"	OVERALL	GOLD "G"	N/A	GOLD "G"	N/A	GOLD "G"	N/A				
TIN "T"	N/A	TIN "T"	OVERALL	TIN "T"	OVERALL	TIN "T"	OVERALL				
PACKAGING	PK-41661-001	PACKAGING	PK-41661-001	PACKAGING	PK-41661-001	PACKAGING	PK-41661-001				
STATUS		STATUS		STATUS		STATUS					
A-41661-ANAN501-*			A-41661-AND102-*			A-41661-ANBA102-*			A-41661-ANBC102-*		
MATERIAL	ENGINEERING	VOIDS	MATERIAL	ENGINEERING	VOIDS	MATERIAL	ENGINEERING	VOIDS	MATERIAL	ENGINEERING	VOIDS
26-58-4026	-A2AN501		41661-0336	-A2D102		26-48-4025	-A2BA102		26-48-3023	-A2BC102	
26-58-4036	-A3AN501		41661-0337	-A3D102		26-48-4035	-A3BA102		26-48-3033	-A3BC102	
26-58-4046	-A4AN501		41661-0338	-A4D102		26-48-4045	-A4BA102		26-48-3043	-A4BC102	
26-58-4056	-A5AN501		26-48-9052	-A5D102		26-48-4055	-A5BA102		26-48-3053	-A5BC102	
26-58-4066	-A6AN501		41661-0339	-A6D102		26-48-4065	-A6BA102		26-48-3063	-A6BC102	
26-58-4076	-A7AN501		41661-0340	-A7D102		26-48-4075	-A7BA102		26-48-3073	-A7BC102	
26-58-4086	-A8AN501		26-48-9082	-A8D102		26-48-4085	-A8BA102		26-48-3083	-A8BC102	
26-58-4096	-A9AN501		41661-0341	-A9D102		26-48-4095	-A9BA102		26-48-3093	-A9BC102	
26-58-4106	-A10AN501		41661-0342	-A10D102		26-48-4105	-A10BA102		26-48-3103	-A10BC102	
26-58-4116	-A11AN501		41661-0343	-A11D102		26-48-4115	-A11BA102		26-48-3113	-A11BC102	
26-58-4126	-A12AN501		41661-0344	-A12D102		26-48-4125	-A12BA102		26-48-3123	-A12BC102	
26-58-4136	-A13AN501		41661-0345	-A13D102		26-48-4135	-A13BA102		26-48-3133	-A13BC102	
26-58-4146	-A14AN501		41661-0346	-A14D102		26-48-4145	-A14BA102		26-48-3143	-A14BC102	
26-58-4156	-A15AN501		41661-0347	-A15D102		26-48-4155	-A15BA102		26-48-3153	-A15BC102	
26-58-4166	-A16AN501		41661-0348	-A16D102		26-48-4165	-A16BA102		26-48-3163	-A16BC102	
26-58-4176	-A17AN501		41661-0349	-A17D102		26-48-4175	-A17BA102		26-48-3173	-A17BC102	
26-58-4186	-A18AN501		41661-0350	-A18D102		26-48-4185	-A18BA102		26-48-3183	-A18BC102	
26-58-4196	-A19AN501		41661-0351	-A19D102		26-48-4195	-A19BA102		26-48-3193	-A19BC102	
26-58-4206	-A20AN501		41661-0352	-A20D102		26-48-4205	-A20BA102		26-48-3203	-A20BC102	
26-58-4216	-A21AN501		41661-0353	-A21D102		26-48-4215	-A21BA102		26-48-3213	-A21BC102	
26-58-4226	-A22AN501		41661-0354	-A22D102		26-48-4225	-A22BA102		26-48-3223	-A22BC102	
26-58-4236	-A23AN501		41661-0355	-A23D102		26-48-4235	-A23BA102		26-48-3233	-A23BC102	
26-58-4246	-A24AN501		26-48-9242	-A24D102		26-48-4245	-A24BA102		26-48-3243	-A24BC102	

REV: <b>BD</b>	ECR/ECN INFORMATION: EC No.: <b>UCP2008-0471</b> DATE: <b>9/7/2007</b>	TITLE: <b>KK 156 HEADER ASSEMBLY FLAT BREAKAWAY 2-24 CKTS</b>	SHEET No. <b>- 8 -</b>
DOCUMENT NUMBER: <b>SD- 41661 -001</b>	CREATED / REVISED BY: <b>ADERR</b>	CHECKED BY: <b>LSCHMIDT</b>	APPROVED BY: <b>FSMITH</b>



PIN NUMBER	2161-65(501)	PIN NUMBER	2161-1(501)	PIN NUMBER	CONTINUED	PIN NUMBER	2161-37(102)				
PIN LENGTH	22.71/.894	PIN LENGTH	19.05/.750	PIN LENGTH		PIN LENGTH	27.94/1.100				
PLATING	501	PLATING	501	PLATING	FROM	PLATING	102				
MATING "M"	15.09/.594	MATING "M"	11.43/.450	MATING "M"		MATING "M"	12.34/.486				
PCB "P"	4.37/.172	PCB "P"	4.37/.172	PCB "P"	LAST	PCB "P"	12.34/.486				
GOLD "G"	OVERALL	GOLD "G"	OVERALL	GOLD "G"		GOLD "G"	N/A				
TIN "T"	N/A	TIN "T"	N/A	TIN "T"	COLUMN	TIN "T"	OVERALL				
PACKAGING	PK-41661-001	PACKAGING	PK-41661-001	PACKAGING		PACKAGING	PK-41661-001				
STATUS		STATUS		STATUS		STATUS					
A-41661-ANAE501-*			A-41661-ANA501-*			A-41661-ANA501-*			A-41661-ANCC102-*		
MATERIAL	ENGINEERING	VOIDS	MATERIAL	ENGINEERING	VOIDS	MATERIAL	ENGINEERING	VOIDS	MATERIAL	ENGINEERING	VOIDS
26-48-2020	-A2AE501		26-48-2021	-A2A501		26-49-7171	-A17A501-51	2,4,6,8,10,1 2,14,16	41661-0380	-A2CC102	
26-48-2030	-A3AE501		26-48-2031	-A3A501					41661-0381	-A3CC102	
26-48-2040	-A4AE501		26-48-2041	-A4A501					41661-0382	-A4CC102	
26-48-2050	-A5AE501		26-48-2051	-A5A501					41661-0383	-A5CC102	
26-48-2060	-A6AE501		26-48-2061	-A6A501					41661-0384	-A6CC102	
26-48-2070	-A7AE501		26-48-2071	-A7A501					41661-0385	-A7CC102	
26-48-2080	-A8AE501		26-48-2081	-A8A501					41661-0386	-A8CC102	
26-48-2090	-A9AE501		26-48-2091	-A9A501					41661-0387	-A9CC102	
26-48-2100	-A10AE501		26-48-2101	-A10A501					41661-0388	-A10CC102	
26-48-2110	-A11AE501		26-48-2111	-A11A501					41661-0389	-A11CC102	
26-48-2120	-A12AE501		26-48-2121	-A12A501					41661-0390	-A12CC102	
26-48-2130	-A13AE501		26-48-2131	-A13A501					41661-0391	-A13CC102	
26-48-2140	-A14AE501		26-48-2141	-A14A501					41661-0392	-A14CC102	
26-48-2150	-A15AE501		26-48-2151	-A15A501					41661-0393	-A15CC102	
26-48-2160	-A16AE501		26-48-2161	-A16A501					41661-0394	-A16CC102	
26-48-2170	-A17AE501		26-48-2171	-A17A501					41661-0395	-A17CC102	
26-48-2180	-A18AE501		26-48-2181	-A18A501					41661-0396	-A18CC102	
26-48-2190	-A19AE501		26-48-2191	-A19A501					41661-0397	-A19CC102	
26-48-2200	-A20AE501		26-48-2201	-A20A501					41661-0398	-A20CC102	
26-48-2210	-A21AE501		26-48-2211	-A21A501					41661-0399	-A21CC102	
26-48-2220	-A22AE501		26-48-2221	-A22A501					41661-0400	-A22CC102	
26-48-2230	-A23AE501		26-48-2231	-A23A501					41661-0401	-A23CC102	
26-48-2240	-A24AE501		26-48-2241	-A24A501					41661-0402	-A24CC102	

REV: <b>BD</b>	ECR/ECN INFORMATION: EC No.: <b>UCP2008-0471</b> DATE: <b>9/7/2007</b>	TITLE: <b>KK 156 HEADER ASSEMBLY FLAT BREAKAWAY 2-24 CKTS</b>	SHEET No. <b>- 9 -</b>
DOCUMENT NUMBER: <b>SD- 41661 -001</b>	CREATED / REVISED BY: <b>ADERR</b>	CHECKED BY: <b>LSCHMIDT</b>	APPROVED BY: <b>FSMITH</b>

PIN NUMBER	43294-0362	PIN NUMBER	43294-0363	PIN NUMBER	43294-0587	PIN NUMBER	43294-0317				
PIN LENGTH	22.61/.890	PIN LENGTH	22.61/.890	PIN LENGTH	28.45/1.120	PIN LENGTH	21.34/.840				
PLATING	208	PLATING	228	PLATING	208	PLATING	208				
MATING "M"	15.09/.594	MATING "M"	15.09/.594	MATING "M"	22.15/.872	MATING "M"	13.97/.550				
PCB "P"	4.27/.168	PCB "P"	4.27/.168	PCB "P"	3.05/.120	PCB "P"	4.11/.162				
GOLD "G"	10.51/.415	GOLD "G"	10.51/.415	GOLD "G"	6.86/.270	GOLD "G"	8.89/.350				
TIN "T"	4.06/.160	TIN "T"	4.06/.160	TIN "T"	5.08/.200	TIN "T"	5.08/.200				
PACKAGING	PK-41661-001	PACKAGING	PK-41661-001	PACKAGING	PK-41661-001	PACKAGING	PK-41661-001				
STATUS		STATUS		STATUS		STATUS					
A-41661-BNCA208-*			A-41661-BNCA228-*			A-41661-BNCD208-*			A-41661-BNCE208-*		
MATERIAL	ENGINEERING	VOIDS	MATERIAL	ENGINEERING	VOIDS	MATERIAL	ENGINEERING	VOIDS	MATERIAL	ENGINEERING	VOIDS
41661-0047	-B2CA208		41661-0070	-B2CA228		41661-0403	-B2CD208		41661-0426	-B2CE208	
41661-0048	-B3CA208		41661-0071	-B3CA228		41661-0404	-B3CD208		41661-0427	-B3CE208	
41661-0049	-B4CA208		41661-0072	-B4CA228		41661-0405	-B4CD208		41661-0428	-B4CE208	
41661-0050	-B5CA208		41661-0073	-B5CA228		41661-0406	-B5CD208		41661-0429	-B5CE208	
41661-0051	-B6CA208		41661-0074	-B6CA228		41661-0407	-B6CD208		41661-0430	-B6CE208	
41661-0052	-B7CA208		41661-0075	-B7CA228		41661-0408	-B7CD208		41661-0431	-B7CE208	
41661-0053	-B8CA208		41661-0076	-B8CA228		41661-0409	-B8CD208		41661-0432	-B8CE208	
41661-0054	-B9CA208		41661-0077	-B9CA228		41661-0410	-B9CD208		41661-0433	-B9CE208	
41661-0055	-B10CA208		41661-0078	-B10CA228		41661-0411	-B10CD208		41661-0434	-B10CE208	
41661-0056	-B11CA208		41661-0079	-B11CA228		41661-0412	-B11CD208		41661-0435	-B11CE208	
41661-0057	-B12CA208		41661-0080	-B12CA228		41661-0413	-B12CD208		41661-0436	-B12CE208	
41661-0058	-B13CA208		41661-0081	-B13CA228		41661-0414	-B13CD208		41661-0437	-B13CE208	
41661-0059	-B14CA208		41661-0082	-B14CA228		41661-0415	-B14CD208		41661-0438	-B14CE208	
41661-0060	-B15CA208		41661-0083	-B15CA228		41661-0416	-B15CD208		41661-0439	-B15CE208	
41661-0061	-B16CA208		41661-0084	-B16CA228		41661-0417	-B16CD208		41661-0440	-B16CE208	
41661-0062	-B17CA208		41661-0085	-B17CA228		41661-0418	-B17CD208		41661-0441	-B17CE208	
41661-0063	-B18CA208		41661-0086	-B18CA228		41661-0419	-B18CD208		41661-0442	-B18CE208	
41661-0064	-B19CA208		41661-0087	-B19CA228		41661-0420	-B19CD208		41661-0443	-B19CE208	
41661-0065	-B20CA208		41661-0088	-B20CA228		41661-0421	-B20CD208		41661-0444	-B20CE208	
41661-0066	-B21CA208		41661-0089	-B21CA228		41661-0422	-B21CD208		41661-0445	-B21CE208	
41661-0067	-B22CA208		41661-0090	-B22CA228		41661-0423	-B22CD208		41661-0446	-B22CE208	
41661-0068	-B23CA208		41661-0091	-B23CA228		41661-0424	-B23CD208		41661-0447	-B23CE208	
41661-0069	-B24CA208		41661-0092	-B24CA228		41661-0425	-B24CD208		41661-0448	-B24CE208	

REV: <b>BD</b>	<u>ECR/ECN INFORMATION:</u> <u>EC No.:</u> <b>UCP2008-0471</b> <u>DATE:</u> <b>9/7/2007</b>	<u>TITLE:</u> <b>KK 156 HEADER ASSEMBLY FLAT BREAKAWAY 2-24 CKTS</b>	<u>SHEET No.</u> <b>- 10 -</b>
<u>DOCUMENT NUMBER:</u> <b>SD- 41661 -001</b>		<u>CREATED / REVISED BY:</u> <b>ADERR</b>	<u>CHECKED BY:</u> <b>LSCHEMIDT</b>
		<u>APPROVED BY:</u> <b>FSMITH</b>	

PIN NUMBER 2161-4(102)			PIN NUMBER 2161-35(102)			PIN NUMBER 2161-3(102)			PIN NUMBER 2161-19(102)		
PIN LENGTH 12.70 / .500			PIN LENGTH 17.45 / .687			PIN LENGTH 23.80 / .937			PIN LENGTH 26.21 / 1.032		
PLATING 102			PLATING 102			PLATING 102			PLATING 102		
MATING "M" 5.89 / .232			MATING "M" 9.63 / .379			MATING "M" 17.02 / .670			MATING "M" 11.48 / .452		
PCB "P" 3.56 / .140			PCB "P" 4.57 / .180			PCB "P" 3.53 / .139			PCB "P" 11.48 / .452		
GOLD "G" NA			GOLD "G" NA			GOLD "G" NA			GOLD "G" N/A		
TIN "T" OVERALL			TIN "T" OVERALL			TIN "T" OVERALL			TIN "T" OVERALL		
PACKAGING PK-41661-001			PACKAGING PK-41661-001			PACKAGING PK-41661-001			PACKAGING PK-41661-001		
STATUS			STATUS			STATUS			STATUS		
A-41661-ANCF102-*			A-41661-ANCG102-*			A-41661-ANCH102-*			A-41661-ANCL102-*		
MATERIAL	ENGINEERING	VOIDS	MATERIAL	ENGINEERING	VOIDS	MATERIAL	ENGINEERING	VOIDS	MATERIAL	ENGINEERING	VOIDS
41661-0449	-A02CF102		41661-0472	-A02CG102							
41661-0450	-A03CF102		41661-0473	-A03CG102							
41661-0451	-A04CF102		41661-0474	-A04CG102		41661-0497	A04CH102				
41661-0452	-A05CF102		41661-0475	-A05CG102							
41661-0453	-A06CF102		41661-0476	-A06CG102					41661-0522	-A06CL102	
41661-0454	-A07CF102		41661-0477	-A07CG102							
41661-0455	-A08CF102		41661-0478	-A08CG102							
41661-0456	-A09CF102		41661-0479	-A09CG102					41661-0525	-A09CL102	
41661-0457	-A10CF102		41661-0480	-A10CG102							
41661-0458	-A11CF102		41661-0481	-A11CG102							
41661-0459	-A12CF102		41661-0482	-A12CG102							
41661-0460	-A13CF102		41661-0483	-A13CG102							
41661-0461	-A14CF102		41661-0484	-A14CG102							
41661-0462	-A15CF102		41661-0485	-A15CG102							
41661-0463	-A16CF102		41661-0486	-A16CG102							
41661-0464	-A17CF102		41661-0487	-A17CG102							
41661-0465	-A18CF102		41661-0488	-A18CG102							
41661-0466	-A19CF102		41661-0489	-A19CG102							
41661-0467	-A20CF102		41661-0490	-A20CG102							
41661-0468	-A21CF102		41661-0491	-A21CG102							
41661-0469	-A22CF102		41661-0492	-A22CG102							
41661-0470	-A23CF102		41661-0493	-A23CG102							
41661-0471	-A24CF102		41661-0494	-A24CG102							

REV: <b>BD</b>	ECR/ECN INFORMATION: EC No.: <b>UCP2008-0471</b> DATE: <b>9/7/2007</b>	TITLE: <b>KK 156 HEADER ASSEMBLY FLAT BREAKAWAY 2-24 CKTS</b>	SHEET No. <b>- 11 -</b>
DOCUMENT NUMBER: <b>SD- 41661 -001</b>		CREATED / REVISED BY: <b>ADERR</b>	CHECKED BY: <b>LSCHMIDT</b>
		APPROVED BY: <b>FSMITH</b>	

PIN NUMBER	43294-0236	PIN NUMBER	43294-0614	PIN NUMBER	2161-5(102)	PIN NUMBER	2161-64(102)				
PIN LENGTH	19.05 / .750	PIN LENGTH	29.21 / 1.150	PIN LENGTH	34.93 / 1.375	PIN LENGTH	29.85 / 1.175				
PLATING	208	PLATING	208	PLATING	102	PLATING	102				
MATING "M"	12.93 / .509	MATING "M"	21.21 / .835	MATING "M"	27.31 / 1.075	MATING "M"	24.38 / .960				
PCB "P"	2.87 / .113	PCB "P"	4.75 / .187	PCB "P"	4.37 / .172	PCB "P"	2.21 / .087				
GOLD "G"	6.86 / .270	GOLD "G"	6.86 / .270	GOLD "G"	N/A	GOLD "G"	N/A				
TIN "T"	4.06 / .160	TIN "T"	5.08 / .200	TIN "T"	OVERALL	TIN "T"	OVERALL				
PACKAGING	PK-41661-001	PACKAGING	PK-41661-001	PACKAGING	PK-41661-001	PACKAGING	PK-41661-001				
STATUS		STATUS		STATUS		STATUS					
A-41661-BNB208-*			A-41661-BND208-*			A-41661-ANCM102-*			A-41661-ANCN102-*		
MATERIAL	ENGINEERING	VOIDS	MATERIAL	ENGINEERING	VOIDS	MATERIAL	ENGINEERING	VOIDS	MATERIAL	ENGINEERING	VOIDS
	-B02B208			-B02D208							
	-B03B208			-B03D208							
	-B04B208		41661-0566	-B04D208							
	-B05B208			-B05D208							
	-B06B208			-B06D208							
	-B07B208			-B07D208							
	-B08B208			-B08D208							
	-B09B208			-B09D208							
41661-0549	-B10B208			-B10D208					41661-0621	-A10CN102	
	-B11B208			-B11D208							
41661-0551	-B12B208			-B12D208		41661-0600	-A12CM102				
	-B13B208			-B13D208							
	-B14B208			-B14D208							
	-B15B208			-B15D208							
	-B16B208			-B16D208							
	-B17B208			-B17D208							
	-B18B208			-B18D208							
	-B19B208			-B19D208							
	-B20B208			-B20D208							
	-B21B208			-B21D208							
	-B22B208			-B22D208							
	-B23B208			-B23D208							
	-B24B208			-B24D208							

REV: <b>BD</b>	ECR/ECN INFORMATION: EC No.: <b>UCP2008-0471</b> DATE: <b>9/7/2007</b>	TITLE: <b>KK 156 HEADER ASSEMBLY FLAT BREAKAWAY 2-24 CKTS</b>	SHEET No. <b>- 12 -</b>
DOCUMENT NUMBER: <b>SD- 41661 -001</b>	CREATED / REVISED BY: <b>ADERR</b>	CHECKED BY: <b>LSCHMIDT</b>	APPROVED BY: <b>FSMITH</b>